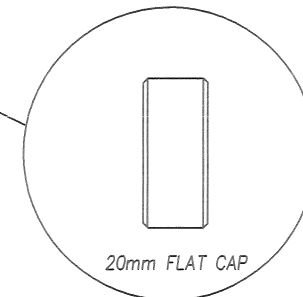
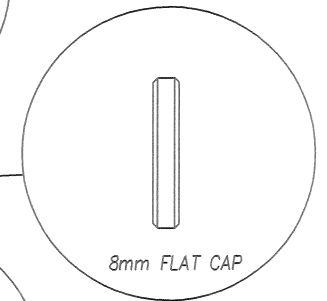


CAP OPTIONS



NOT TO SCALE

TITLE: "PIN FIXED" FAMELESS GLASS BALUSTRADE DETAILS		EUROGLASS AUSTRALIA PTY LTD 7/1 ROEBUCK ST. HEMMANT ABN 86 057 154 551 PHONE: 1300 654 856 FAX: (07) 3390 7688	
DATE: APR.'13	DRAWING NO: 6	DRAWN BY: TB	